

INSTALLATION MANUAL FOR
LONGi PHOTOVOLTAIC MODULES OF DG

PV Module Installation Manual



LONGi





Safety Note

- This manual elaborates on installation and safety use information for PV power generating modules (hereinafter referred to as module) of LONGi Green Energy Technology Co., Ltd.(hereinafter referred to as LONGi). Please abide by all safety precautions in this guide and local regulations.
- Installation of modules requires professional skills and knowledge and is to be carried out by qualified personnel. Please read this manual carefully before installing and using this module. Installation personnel shall get familiar with mechanical and electrical requirements of this system. Please keep this manual readily available as reference for future maintenance or upkeep or for sales and testing or handing of modules.
- If you have any doubts, please contact LONGi customer service personnel for further interpretation

CONTENTS

01	INTRODUCTION	01
02	LAWS AND REGULATION	02
03	GENERAL INFORMATION	03
	3.1 MODULES IDENTIFICATION	03
	3.2 JUNCTION BOX STYLE AND WIRING METHOD	05
	3.3 REGULAR SAFETY	05
	3.4 ELECTRICAL PERFORMANCE SAFETY	06
	3.5 OPERATION SAFETY	06
	3.6 FIRE SAFETY	07
04	INSTALLATION CONDITIONS	08
	4.1 INSTALLATION SITE AND WORKING ENVIRONMENT	08
	4.2 SELECTION OF TILT ANGLES	08
05	MECHANICAL INSTALLATION	10
	5.1 REGULAR REQUIREMENTS	10
	5.2 MODULE MECHANICAL INSTALLATION	10
	5.2.1 BOLTS MOUNTING	10
	5.2.2 CLAMPS MOUNTING	12
	5.3 INSTALLATION AND MECHANICAL LOAD OF MONO-FACIAL MODULE	12
	5.4 INSTALLATION AND MECHANICAL LOAD OF BIFACIAL MODULE	14
06	ELECTRICAL INSTALLATION	16
	6.1 ELECTRICAL PERFORMANCE	16
	6.2 CABLES AND WIRING	17
	6.3 CONNECTOR	17
	6.4 BYPASS DIODE	18
	6.5 PID PROTECTION AND INVERTER COMPATIBILITY	18
07	GROUNDING	19
08	OPERATION AND MAINTENANCE	20
	8.1 CLEANING	20
	8.2 MODULE APPEARANCE INSPECTION	20
	8.3 INSPECTION OF CONNECTORS AND CABLES	21

INTRODUCTION

▶ 01. Introduction

Electrical and mechanical installation information will be introduced in this installation manual, so please read and understand the information before installing LONGi modules. In addition, this manual also contains important safety information that you should be familiar with. All contents in this manual are intellectual properties of LONGi which originates from long term of technical exploration and experience accumulation of LONGi.

This installation manual does not entail any explicit or implicit quality warranty and does not stipulate on compensation schemes for losses, module damages or other costs caused by or related to module installation, operation, utilization and maintenance process. LONGi will not take any responsibility if patent rights or the third party rights are infringed by use of modules. LONGi reserves the rights for modifying product manual or installation manual without advanced notice. It is recommended to visit our website regularly at www.longi.com for the latest version of this installation manual.

If customers fail to install modules as per requirements set forth in this manual, the limited warranty provided for customers will be invalid. In addition, suggestions in this manual are to improve safety of module installation, which are tested and proved through years of experience. Please provide this manual to PV system users for reference and inform the advises on operation, maintenance requirements etc.



LAWS AND REGULATION

▶ 02. Laws and Regulation

The mechanical and electrical installation of photovoltaic modules shall be in accordance with applicable regulations, including electrical law, construction law and electrical connection requirements. These regulations vary from sites to sites, for example, building roof installation, vehicle applications, etc. Requirements may also vary depending on the installed system voltage, DC or AC. Please contact local authorities for specific terms.



GENERAL INFORMATION

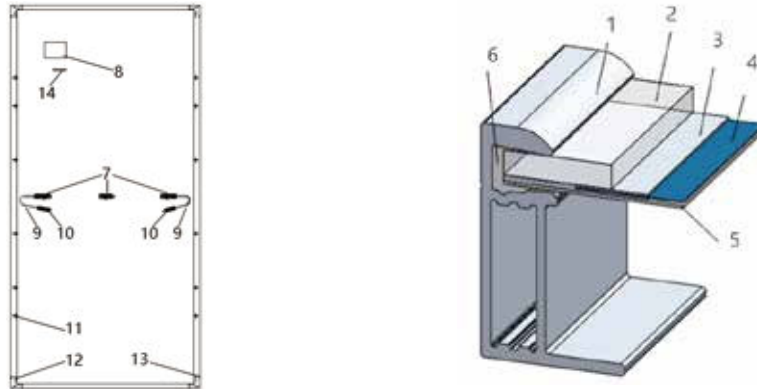
▶ 03. General Information

3.1 Modules Identification

Three labels on the module contain the information below:

1. Nameplate: product type, rated power, rated current, rated voltage, open circuit voltage, short circuit current under testing conditions, certification indicator, maximum system voltage, etc.
2. Current classification label: Rated working current. (H indicates High, M indicates Medium, L indicates Low)
3. Serial Number label: A unique serial number which is laminated inside the module permanently which can be found in the front of the module. There is another same serial number beside the module nameplate.

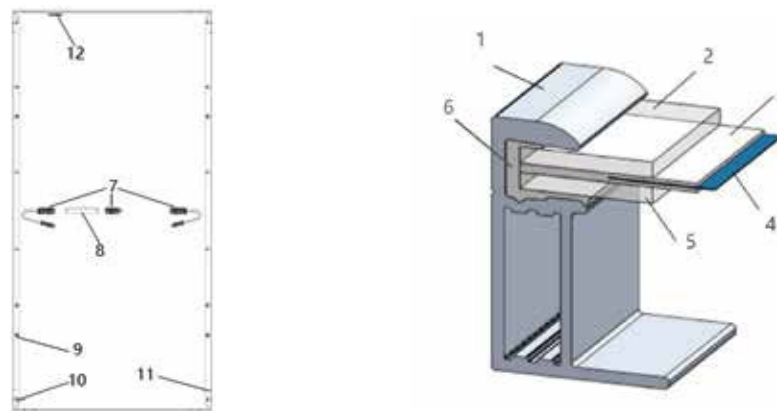




1	Frame	2	Glass	3	EVA	4	Solar Cell
5	Backsheet	6	Silica Gel	7	Junction Box	8	Name Plate
9	Cable	10	Connector	11	Mounting Hole	12	Grounding Hole
13	Drain Hole	14	Bar Code				

Figure 1 Typical Mechanical Drawing of Mono-facial Modules

(Please refer to section 3.2 for the location of the junction box. The specific version is subject to the corresponding specification.)



1	Frame	2	Front Glass	3	EVA/POE	4	Solar Cell
5	Back Glass	6	Sealant	7	Junction Box	8	Name Plate
9	Mounting Holes	10	Grounding Holes	11	Drain Holes	12	Bar Code

Figure 2 Typical Mechanical Drawing of Bifacial Modules

(Please refer to section 3.2 for the location of the junction box. The specific version is subject to the corresponding specification.)

3.2 Junction box style and wiring method

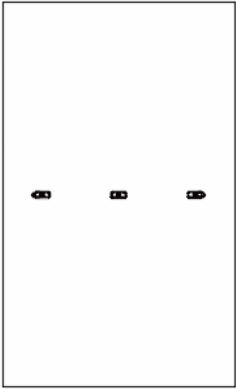
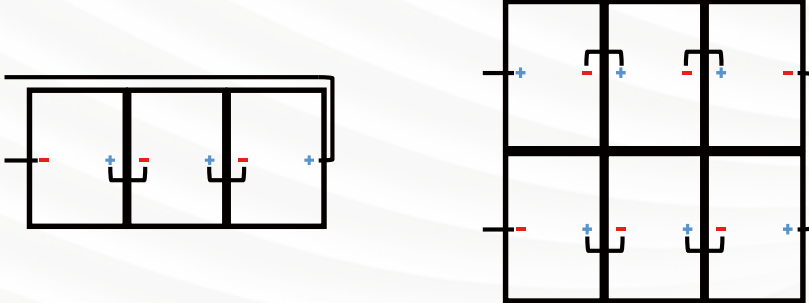
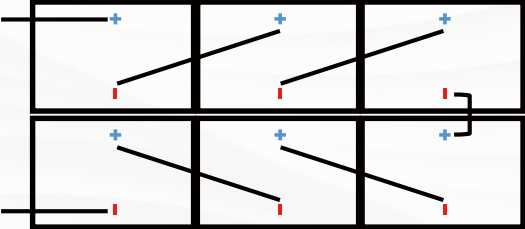
Junction Box Location	Recommended Wiring Method
	<p data-bbox="470 418 837 444">Vertical Installation: Standard Cable length</p> <div data-bbox="529 448 1342 750">  </div> <p data-bbox="470 771 1406 797">Note: The extra extended cable is required for connection at the turn-back corner of wiring as shown below.</p> <p data-bbox="470 823 1385 879">Horizontal Installation: 54/60 type PV module cable length $\geq 1.2\text{m}$, 72 type PV module cable length $\geq 1.4\text{m}$, 78 type PV module cable length $\geq 1.5\text{m}$</p> <div data-bbox="676 914 1203 1142">  </div>

Figure3 Junction Box Style and Wiring Method

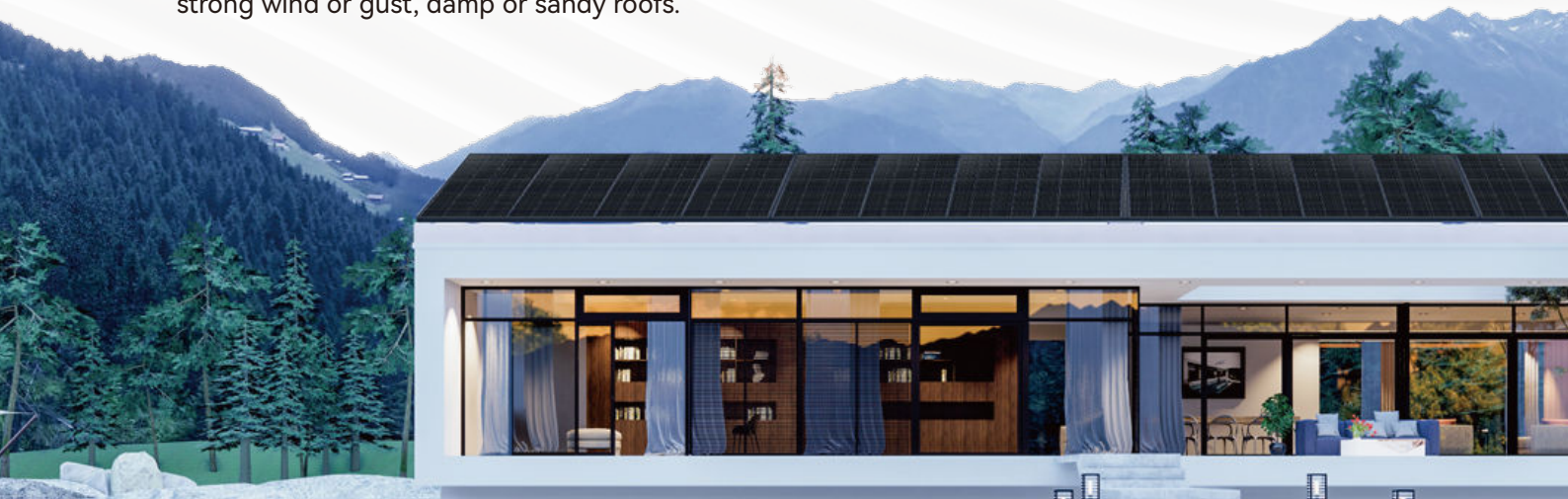
3.3 Regular Safety

The application level of LONGi Solar module is Class II, which can be used in systems operating at $> 50\text{ V DC}$ or $>240\text{ W}$, where general contact access is anticipated;

When the modules are for rooftop application, it is necessary to take the overall fire rating of the finished structure as well as operation and maintenance into account. The roofing PV system shall be installed after being evaluated by construction experts or engineers and with official analysis results for the entire structure. It shall be proved capable of supporting extra weight of system racking structures and PV modules.

For your safety, please do not work on the roof without required safety PPE(Personal Protective Equipment) which includes but not limited to fall protection, ladder or stair and personal protective measures.

For your safety, please do not install or handle modules in unsafe conditions including but not limited to strong wind or gust, damp or sandy roofs.



3.4 Electrical Performance Safety

PV modules can produce DC current under sunlight. Any contact of exposed metal at module's wiring parts may result in electrical shock or burn. Any contact of 30 V or larger DC Voltage can be fatal.

In case of no connected load or external circuits, modules can still produce voltage. Please use insulation tools and wear rubber gloves when operating modules in the sunlight.

No switch is on the PV modules. Operating of PV modules can only be stopped when they are kept from sunlight or covered by hard board or UV-proof materials.

To avoid electric arc or electric shock hazards, please do not break down electric connection in loaded conditions. Incorrect connections will also lead to electric arc or shock. Keep connectors dry and clean and make sure that they are in good operating condition. Do not Never insert other metals into the connectors or carry out electric connection by whatever means.

Snow, water or other reflective medium in surrounding environments that intensify light reflection will increase output current and power, and module voltage and power will increase under low temperature condition.

If module glass or other sealing materials are damaged, please wear PPE(personal protective equipment) and then isolate modules from the circuit.

Do not operate when modules are wet unless you wear PPE(personal protective equipment). Please follow the cleaning requirements in this manual when cleaning modules.

Do not contact connectors with the following chemicals: Gasoline, White Flower oil , woodlock oil, Mold temperature oil, Engine oil (such as KV46) , Grease (such as Molykote EM-50L) , Lubricating oil, Rust-proof oil, Stamping oil, Diesel, Cooking oil, Acetone, alcohol, essential balm, Bone-setting liquid, Banana oil, release agent (such as Pelicoat S-6) , adhesive and potting materials capable of generating oxime gas (such as KE200、CX-200、chemlok) , TBP, cleaning agent etc.



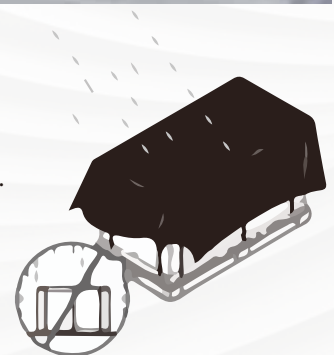
3.5 Operation Safety

Open modules outer package when installation.

Do not damage the package and do not drop packaged modules on the ground.

Do not exceed the indicated maximum layer limit on the packaging carton when piling stacking modules up.

Put packaging carton in the ventilated, water-proof and dry places before unpacking modules.



Follow unpacking instructions when opening packaging carton.

Carrying modules with the junction box or wires are strictly forbidden.

Do not stand or walk on modules.

To avoid glass damage, heavy objects are not allowed on modules.

Be careful when placing modules at corners in particular.

Do not try to dismantle the module or remove nameplate or parts of modules.

Do not paint or apply any other adhesive on modules.

Do not damage or scratch backsheet of modules.

Do not drill holes on the frame of module, which may reduce frame loading capacity and lead to frame corrosion and invalidation of the limited warranty provided for customers.

Do not scratch anodic coating of aluminum alloy frame except for grounding connection. Scratch may lead to frame corrosion and reduce frame loading capacity and long-term reliability.

Do not repair problematic modules on your own.



3.6 Fire Safety

Please refer to local laws and regulations before installing modules and abide by requirements on building fire protection. According to the corresponding certification standards, the fire rating of LONGi Mono-facial modules is UL Type 1 or 2 or IEC Class C, the fire rating of LONGi bifacial modules is UL Type 29 or IEC Class C.

The roof should be coated by a layer of fireproof materials with suitable fire protection rating for roofing installation and make sure that the back sheet and the mounting surface are fully ventilated.

Different roof structures and installation modes will affect fireproof performance of buildings. Improper installation may lead to the risk of fire.

To guarantee roof fire rating, the distance between module frame and roof surface must be ≥ 10 cm. (0.39 inch)

Adopt proper module accessories such as fuse, circuit breaker and grounding connector according to local regulations.

Please do not apply modules in where exposed inflammable gases are nearby.



INSTALLATION CONDITIONS

▶ 04. Installation Conditions

4.1 Installation Site and Working Environment

The modules cannot be used in space.

Do not manually focus sunlight with mirrors or magnifying glass onto modules.

LONGi modules shall be installed on proper buildings or other appropriate places (such as ground, garage, building outer wall, roof, PV tracking system) but shall not be installed on any vehicles.

Do not install modules at places that are possible to be flooded.

LONGi suggests that modules be installed in the working environment with the temperature of $-40\text{ }^{\circ}\text{C}$ to $40\text{ }^{\circ}\text{C}$ of which is the monthly average highest and lowest temperature of the installation sites. The extreme working environment temperature for modules is $-40\text{ }^{\circ}\text{C}$ to $85\text{ }^{\circ}\text{C}$.

Make sure that installed modules do not suffer wind or snow pressure that exceeds the permissible maximum load limit.

Modules shall be installed in places free from shadows throughout the year. Make sure there are no light-blocking obstacles in the installation sites.

Carry out lightning protection for modules installed in places with frequent lightning and thunder.

Do not install modules in places with possible inflammable gases.

Modules cannot be used in environments with too much hails, snows, flue gas, air pollution and soot or in places with strong corrosive substances such as salt, salt mist, saline, active chemical steam, acid rain, or other substances corroding modules, affecting modules' safety or performance.

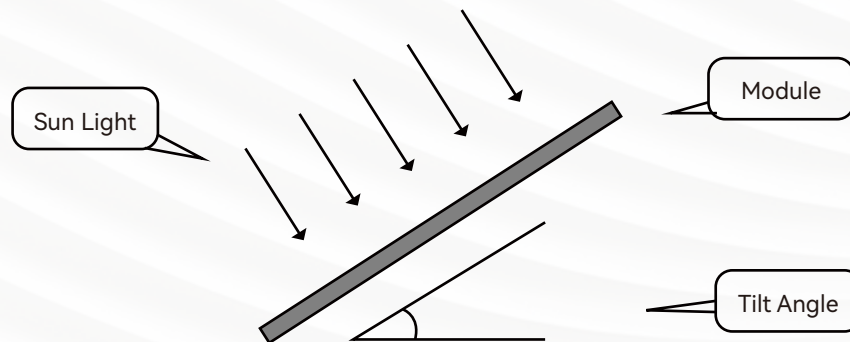
Please take protective measures to ensure reliable and safe installation of modules in severe environments such as heavy snow, cold and strong wind or islands close to water and salt mist or deserts.

LONGi modules passed the IEC 61701 salt spray corrosion test, but the corrosion may still occur where the modules frame is connected to the bracket or where the grounding is connected. LONGi modules can be installed $\geq 50\text{ m}$ away from the ocean side, and related parts and components should be protected with anti-corrosion measures.

4.2 Selection of Tilt Angles

Tilt angle of PV modules refer to the included angle between module surface and horizontal ground.

The module will obtain the maximum power output when directly facing the sunlight.



Modules are preferred to be south-facing in the north hemisphere and north-facing in the south hemisphere.

Please refer to standard modules installation guideline or suggestions from experienced PV module installer, for the specific installation angle.

LONGi suggests that the modules be installed at a large angle, so module surface dust can be washed away easily by rainfall and frequency of cleaning can be reduced; For small Angle installation, it is recommended to increase the cleaning frequency according to the actual situation to avoid long-term accumulation of large amounts of dust, which will affect the appearance and performance of the modules.

LONGi modules connected in string should be installed with the same orientation and tilt angle. Different module orientation and tilt angle may result in different levels of solar irradiation and also power generation. In order to achieve the maximum annual generating capacity, the optimal orientation and inclination of PV modules in the installed area should be selected to ensure that sunlight can still reach to modules even on the shortest day of the year.

If LONGi modules are used in off-grid System, the tilt angle should be calculated based on seasons and irradiation to maximize the output power. If the modules output power meets the acquired load under the period of the worst irradiation in the year, the modules should be able to meet the load of the whole year. If the LONGi modules are used in grid-connected system, the tilt angle should be calculated based on the principle to maximize the yearly output power.



MECHANICAL INSTALLATION

▶ 05. Mechanical Installation

5.1 Regular Requirements

Make sure that installation method and mounting structure are solid enough to meet the expected load-bearing requirement, which is requisite assurance from PV system installer. Installation bracket system shall be tested and inspected by the third party testing institution with static mechanical analysis capacity in accordance with local national standards or international standards.

Mounting structure shall be made from durable, corrosion resistant, UV-proof materials.

Modules shall be fixed on the bracket solidly.

In regions with heavy snowfall in winter, adjust the height of the mounting system so that the lower edge of the module is not covered by snow. In addition, ensure the lower part of module is not in the shadow of plants, trees or damaged by flying sand and stone.

If modules are installed on brackets parallel to the roof or wall, the minimum gap between the module frame and the roof/wall shall be 10cm which is good for air circulation to achieve better performance of module. Make sure the building is suitable for installation before installing modules on roof. Moreover, seal properly to prevent leakage.

The module frames can encounter thermal expansion and cold contraction. So the minimum distance between two adjoining modules shall be no less than 10 mm (0.39 inch).

Make sure the backsheet of modules will not be in contact with bracket or building structures that can pierce into the inside of the modules, especially when the module surface is imposed by pressure.

Maximum static load of the PV module is downforce 5400 Pa and uplift force 2400 Pa, which can vary from different mounting methods of the modules (please refer to the following installation guidance), the described load in this manual is for the test load.

Note: on the basis of IEC 61215-2016 installation requirements, when computing the corresponding maximum design load, a safety factor of 1.5 need to be considered in compliance with the local laws or regulations. (Test load = design load *1.5 times safety factor)

Modules can be installed horizontally or vertically. When installing the components, be cautious not to block the drain hole of the frame.

5.2 Module Mechanical Installation

Module and bracket system connection can be realized by mounting holes, clamps or embedded systems. Installation shall follow the demonstration and suggestions below. If installation mode is different, please consult LONGi customer service personnel and obtain approval. Otherwise, modules may be damaged and limited warranty will be invalid.

5.2.1 Bolts Mounting

The LONGI's module has mounting holes matching M6 and M8 bolts. See Figure 4 for installation details and corresponding hole positions.

Mounting Diagram	Applicable for modules	Instruction
<p>4 installation holes (4 outer) Use M8 bolts</p> <p>8 installation holes Use M6 bolts</p> <p>790mm</p> <p>400mm</p>	<p>LR5-72HPH/HTH/HBD/HGD -xxxM *and LR5-78HBD-xxxM</p>	<p>The 400mm and 790mm red circle holes marked in the figure are referred to as 400 and 790 holes respectively</p>
<p>4 installation holes (4 inner, 4 outer) Use M8 bolts</p> <p>4 400mm-span installation holes Use M6 bolts</p> <p>400mm</p>	<p>Other modules type</p>	<p>The holes marked in the blue dotted line box in the figure are referred to as inner four holes and outer four holes according to their location distribution;</p> <p>The 400mm red circle holes marked in the figure are referred to as 400 holes</p>
<p>Note: 400 and 790 holes are used for matching with the tracking bracket system products from manufacturers such as NEXTracker</p>		

Figure 4 Installation hole positions of modules

Apply bolts to fix modules on the bracket through mounting holes on the back-side frame. See details in Figure 5.



Figure 5 Bolt Installation of Mono-facial Modules

Recommended accessories are as below:

Accessories	Model		Material	Note
Bolt	M8	M6	Q235B/SUS304	Accessories material selection should be based on application environment.
Washer	2pcs, thickness ≥ 1.5 mm and outside diameter =16 mm	2pcs, thickness ≥ 1.5 mm and outside diameter =12-18 mm	Q235B/SUS304	
Spring Washer	8	6	Q235B/SUS304	
Nut	M8	M6	Q235B/SUS304	

Suggestion 1: M8 bolt tightening torque range: 12-16 N • m

M6 bolt tightening torque range: 8-12 N • m

Suggestion 2: When using LONGi 30 mm height frame module, it is recommended to select $L \leq 25\text{mm}$ length fasteners. (If there is a special model, consult LONGi customer service personnel).

5.2.2 Clamps Mounting

The module can be mounted by a dedicated clamp, as shown in Figure 6.

Under no circumstances should the clamp touch the glass or deform the frame. The interface of the clamp to the front of the frame must be smooth and flat to prevent frame or other components from being damaged.

Make sure that there are no shadows caused by clamps.

The drain holes of module cannot be blocked by clamps.

For framed PV module, it is recommended that the length of the clamp be at least 50mm, the clamp must maintain an overlap of 10-12 mm with the frame of the module (For Clamp installation with an overlap of less than 10mm, LONGi technicians need to be consulted for assessment).

The applied value of torque should refer to mechanical design standard and the bolt type customer is using, for example: M8: 14-18 N • m.

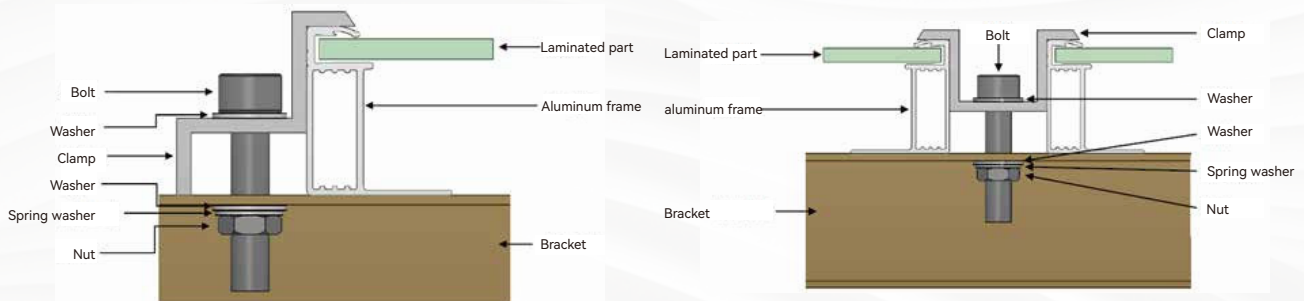
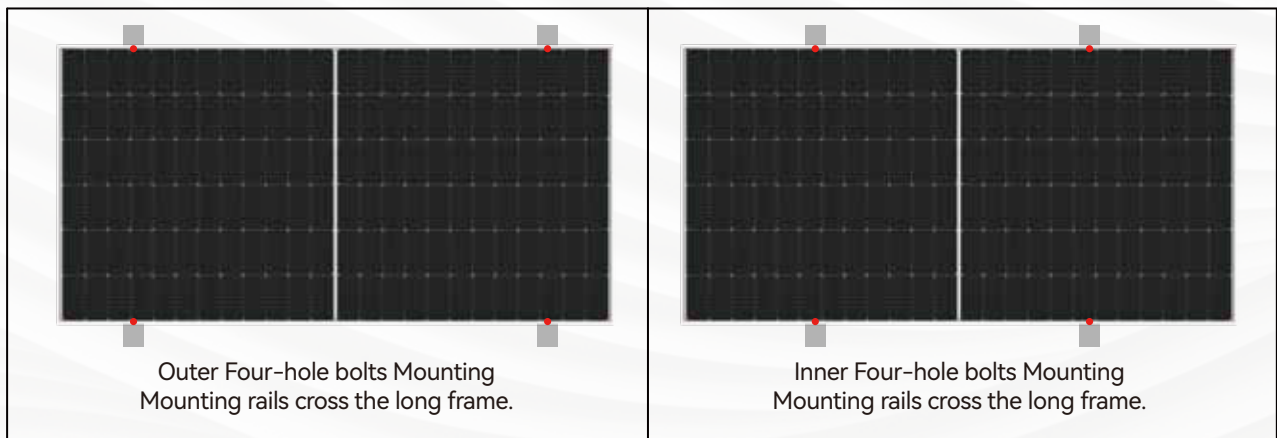


Figure 6 Clamp Installation of Mono-facial Modules

5.3 Installation and Mechanical Load of Mono-facial Module

Mono-facial modules can be mounted by bolts or clamps. The mounting method and maximum test load are shown as follow (The unit of distance and length in the table below is millimeter (mm), and the unit of pressure is Pascal (Pa)).



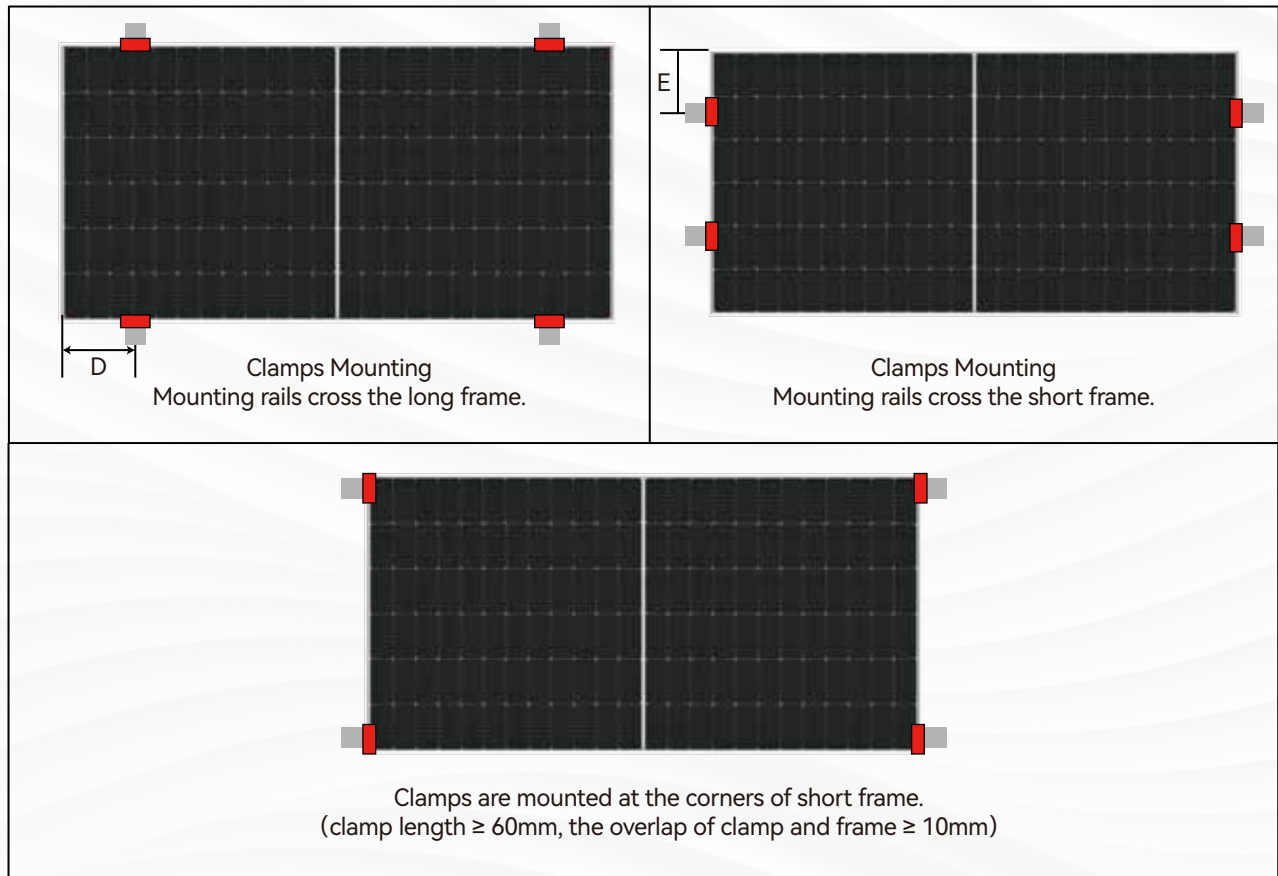


Figure 7 Mono-facial Module Installation Position

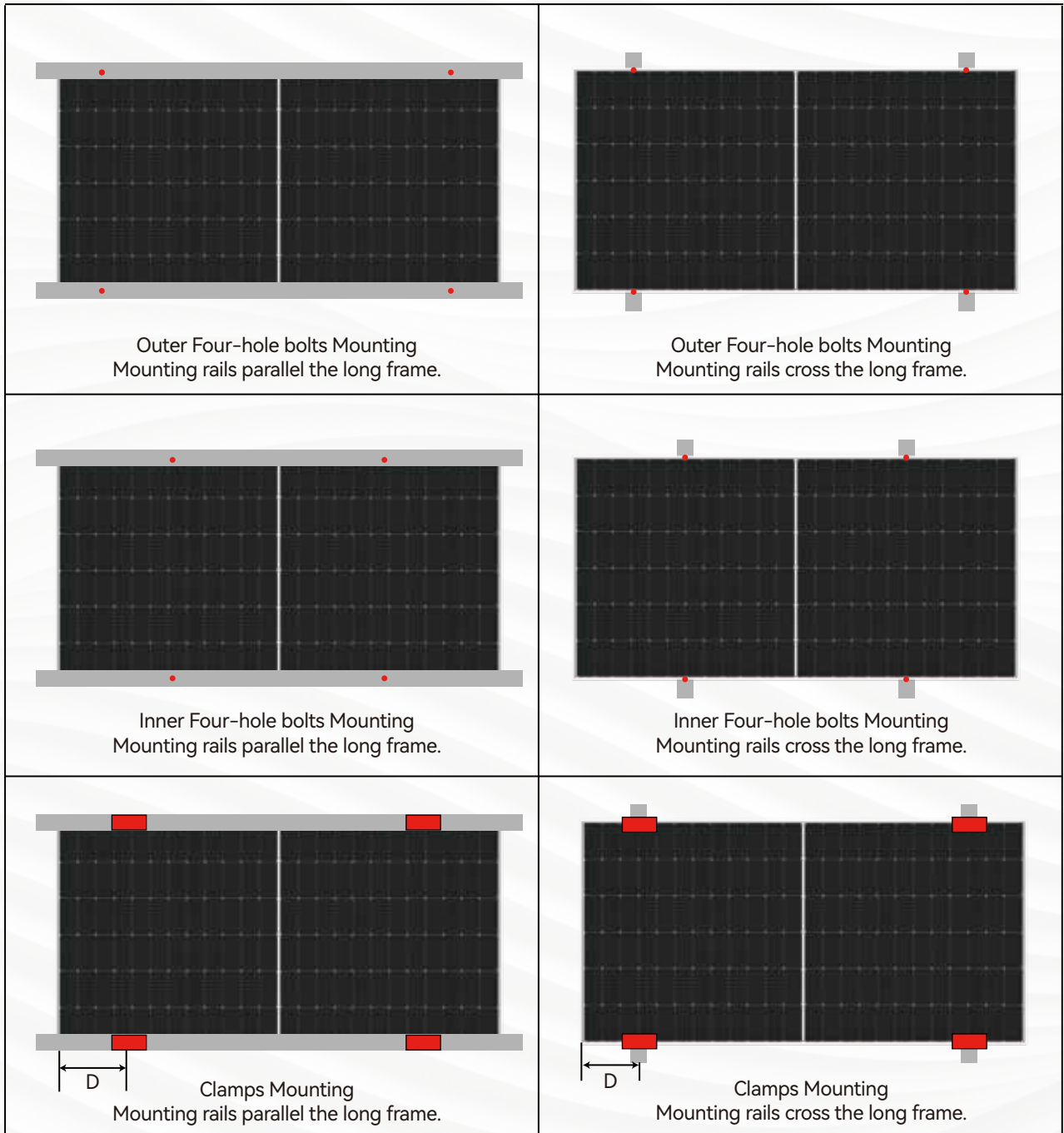
The maximum test load of framed mono-facial modules:

Module Type		Installation Method	Bolts Mounting		Clamps Mounting				
			Mounting rails cross the long frame		Mounting rails cross the long frame			Mounting rails cross the short frame	Clamps are mounted at the corners of short frame
			Outer Four-hole	Inner Four-hole	250≤D≤350	350≤D≤450	450≤D≤550	150≤E≤250	
54/66-cell Framed Mono-facial Modules	LR5-54HPH-xxxM	±2400	+5400, -2400	+5400, -2400	/	/	±2400	+2400, -1800	
	LR5-54HPB-xxxM	±2400	+5400, -2400	+5400, -2400	/	/	±2400	+2400, -1800	
	LR5-54HNB-xxxM	±2400	+5400, -2400	+5400, -2400	/	/	±2400	+2400, -1800	
	LR5-54HTH-xxxM	±2400	+5400, -2400	+5400, -2400	/	/	±2400	+2400, -1800	
	LR5-54HTB-xxxM	±2400	+5400, -2400	+5400, -2400	/	/	±2400	+2400, -1800	
	LR5-66HPH-xxxM	+5400, -2400	±2400	/	+5400, -2400	/	±1800	±1600	
72-cell Framed Mono-facial Modules	LR5-72HPH-xxxM	+5400, -2400	±2400	/	/	+5400, -2400	/	/	
	LR5-72HTH-xxxM	+5400, -2400	±2400	/	/	+5400, -2400	/	/	
	LR5-72HPH-xxxM*	+5400, -2400	/	/	/	+5400, -2400	/	/	
	LR5-72HTH-xxxM*	+5400, -2400	/	/	/	+5400, -2400	/	/	

The above data is based on the static load requirements of IEC61215 standard (Tested by LONGi or third party certification institution)

5.4 Installation and Mechanical Load of Bifacial module

Bifacial modules can be mounted by bolts or clamps. The mounting method and maximum test load are shown as follow. (The unit of distance and length in the table below is millimeter (mm), and the unit of pressure is Pascal (Pa)).



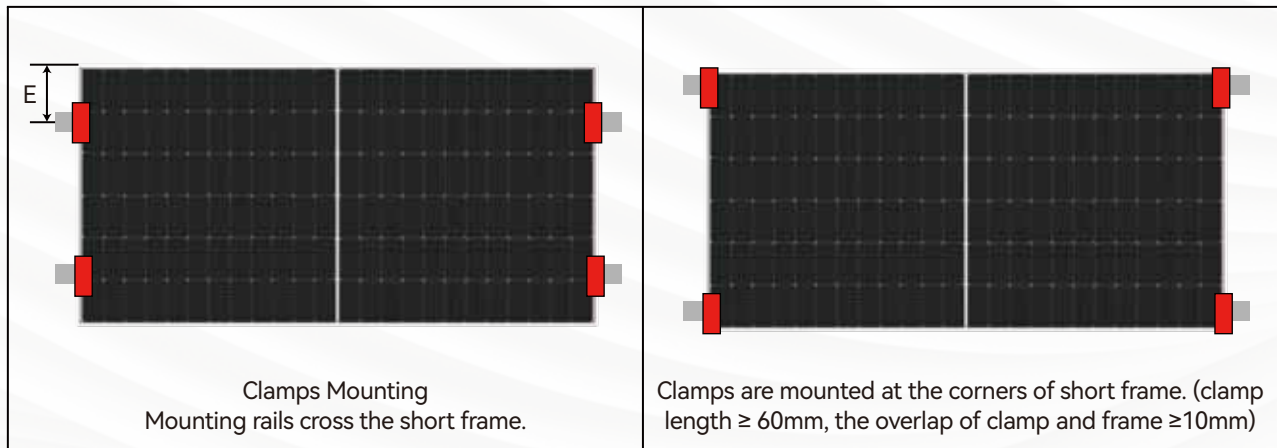


Figure 8 Bifacial Module Installation Position

The maximum test load of framed Bifacial modules:

Installation Method Module Type		Bolts Mounting		Clamps Mounting		
		Mounting rails cross the long frame		Mounting rails cross the long frame	Mounting rails cross the short frame	Clamps are mounted at the corners of short frame
		Outer Four-hole	Inner Four-hole	250≤D≤350	150≤E≤250	/
54-cell Framed Bifacial Module	LR5-54HABD-xxxM	±2400	+5400,-2400	+5400, -2400	±2400	+2400,-1800
	LR5-54HABB-xxxM	±2400	+5400,-2400	+5400,-2400	±2400	+2400,-1800

Installation Method Module Type		Bolts Mounting			Clamps Mounting			
		Mounting rails cross the long	Mounting rails parallel the long frame		Mounting rails cross the long frame		Mounting rails parallel the long frame	
		Outer Four-hole	Outer Four-hole	Inner Four-hole	250≤D≤350	450≤D≤550	350≤D≤450	450≤D≤550
66/72-cell Framed Bifacial Module	LR5-66HBD-xxxM	+5400, -2400	+3600, -2400	±2400	+5400, -2400	+5400, -2400	+3600, -2400	/
	LR5-72HBD-xxxM	+5400, -2400	+3600, -2400	±2400	/	+5400, -2400	/	+3600, -2400
	LR5-72HND-xxxM	+5400, -2400	+3600, -2400	±2400	/	+5400, -2400	/	+3600, -2400
	LR5-72HTD-xxxM	+5400, -2400	+3600, -2400	±2400	/	+5400, -2400	/	+3600, -2400
	LR5-72HBD-xxxM*	+5400, -2400	+3600, -2400	/	/	+5400, -2400	/	+3600, -2400
	LR5-72HGD-xxxM*	+5400, -2400	+3600, -2400	/	/	+5400, -2400	/	+3600, -2400

The above data is based on the static load requirements of IEC61215 standard (Tested by LONGi or third party certification institution).

ELECTRICAL INSTALLATION

▶ 06. Electrical Installation

6.1 Electrical Performance

The electrical characteristics are within $\pm 3\%$ of the indicated values of I_{sc} , V_{oc} and P_{max} under STC (1000 W/m² Irradiance, a cell temperature of 25 °C and an AM1.5 spectrum).

When modules are in series connection, the string voltage is sum of every individual module in one string. When modules are in parallel connection, the current is sum of the individual module as shown in below figure 9. Modules with different electric performance models cannot be connected in the same string.

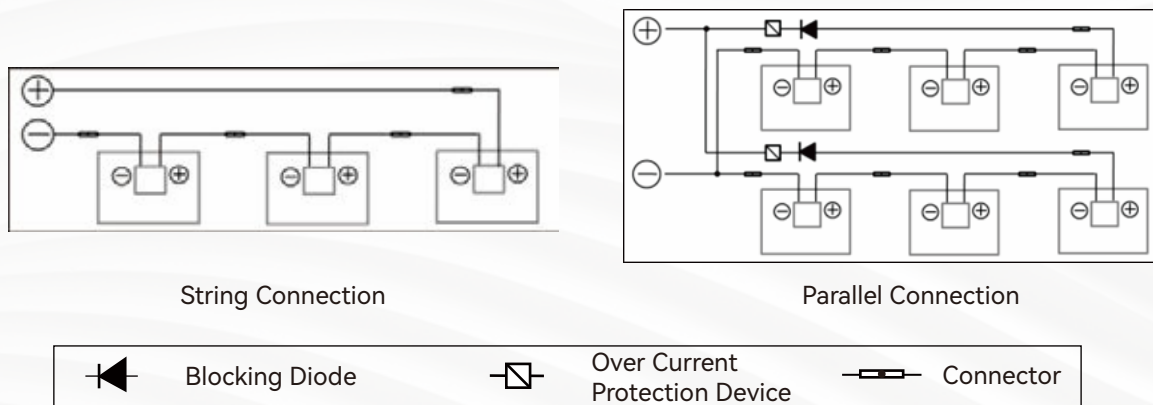


Figure 9: Series Connection and Parallel Connection Circuit Diagram

The maximum allowed quantity of modules in string connection shall be calculated according to relative regulations. The open circuit voltage value under the expected lowest temperature shall not exceed the maximum system voltage value allowed by modules and other values required by DC electric parts. (LONGi modules maximum system voltage is DC1000 V/DC1500 V---actually system voltage is designed based on the selected module and inverter model)

The correction value of V_{oc} can be calculated by the following formula.

$$C_{V_{oc}} = 1 - \beta_{V_{oc}} \times (25 - T)$$

T: The expected lowest temperature of the installation site.

β : V_{oc} temperature coefficient (% /°C) (Refer to module datasheet for further detail)

If there has reverse current exceeding the maximum fuse current flowing through the module, use overcurrent protection device with the same specifications to protect the module. If quantity of parallel connection is more than 2, there must be an overcurrent protection device on each string of module.

6.2 Cables and Wiring

PV Module's junction boxes with the IP67 protective level, can provide the safety protection for cable and wiring connection, also for contact protection of non-insulating electric parts. Each module has two individual wires connecting the junction box, one is negative pole and the other is positive pole. Two modules can be in series connection by inserting the positive pole at one end of wire of one module into the negative pole of the adjoining module.

According to local fire protection, building and electrical regulation, apply proper cable and connector; ensure the electrical and mechanical property of the cables (the cables should be put in a catheter with anti-UV aging properties, and if exposed to air, the cable itself should have anti-UV aging capability).

The installer can only use single-wire cable, $\geq 4 \text{ mm}^2$ (12 AWG), $90 \text{ }^\circ\text{C}$, with proper insulation capability to withstand the maximum open circuit voltage (such as EN50618 approval). Need to select appropriate wire specifications to reduce voltage drop.

LONGi requires that all wiring and electrical connections comply with the appropriate National Electrical Codes.

When cables are fixed on the bracket, avoid mechanical damaging cables or modules. Do not press cables by force. Adopt UV resistant cable ties and clamps to fix cables on the bracket. Though cables are UV resistant and water proof, it is still necessary to prevent cables from direct sun light and water immersion.

The minimum allowed bending radius of cables should be 43 mm. (1.69 inch)

6.3 Connector

Please keep connectors clean and dry. Make sure connector caps are fastened before connection. Do not connect connectors under improper conditions of damp, dirty or other exceptional situations. Avoid connectors from direct sun light and water immersion or falling onto ground or roof.

Incorrect connection may lead to electric arc and electric shock. Please make sure that all electric connection is reliable. Make sure all connectors are fully locked.

Only connectors as the compatible model from same vendor can be mated together. Any doubt, please consult LONGi customer service personnel.



6.4 Bypass Diode

LONGi solar module junction box contains bypass diode which is in parallel connection with the cell string. If hot spot occurred, the diode will come into operation to stop the main current from flowing through the hot spot cells in order to prevent module over-heated and performance loss. Note, a bypass diode is not the overcurrent protection device.

If the diode is definite or suspected to be defective, the installer or system maintenance supplier shall contact LONGi. Please do not try to open the module junction box on your own.



6.5 PID Protection and Inverter Compatibility

PV modules may appear Potential Induced Degradation (PID) under high humidity, high temperature and high voltage condition. Modules may appear Potential Induced Degradation (PID) under the conditions below:

- 1) PV modules install under hot and humid weather condition.
- 2) PV modules installation site is under long-term humid environment such as water floating application.

To reduce the risk of PID, on the modules DC connection site, it is recommended to connect the negative to ground. The PID protection measures on system level are recommended as follow

- 1) For isolated PV inverter, the negative of the PV modules DC connection side can be directly grounded.
- 2) For non-isolated PV inverter, isolated transformer is needed to be equipped before applying virtual grounding method for inverter.

GROUND CONNECTION

► 07. Grounding

In design of modules, the anodized corrosion resistant aluminum alloy frame is applied for rigidity support. For safety consideration and to protect modules from lightning and electrostatic damage, the module frame must be grounded.

The grounding device must be in full contact with inner side of the aluminum alloy and penetrate surface oxide film of the frame.

Do not drill additional grounding holes on module frame.

The grounding conductor or wire may be copper, copper alloy, or any other material acceptable for application as an electrical conductor per respective National Electrical Codes. The grounding conductor must then make a connection to ground with a suitable ground electrode.

There are grounding holes with the diameter of $\varnothing 4.2$ mm at the edge location of module's back-side frame. The grounding hole on the frame is marked with typical grounding symbol (\perp) according to IEC 61730-1 standard, which can only be used for grounding, not for module installation.

Grounding between modules shall be confirmed by qualified electricians and grounding devices shall be manufactured by qualified electric manufacturer. The copper core wire used for the grounding clamp is recommended to be 12 AWG. And copper wires cannot be pressed during installation in case of damaging.

The following is one of the recommended grounding methods of LONGi modules:

- Align grounding clamp to the frame grounding hole. Use grounding bolt to go through the grounding clamp and frame.
- Put the tooth side of the washer on the other side and fasten the nuts.
- Put grounding wires through the grounding clamp and grounding wire material and dimension shall meet requirements in local national and regional law and regulations.
- Fasten bolts of grounding wires and then installation is completed.

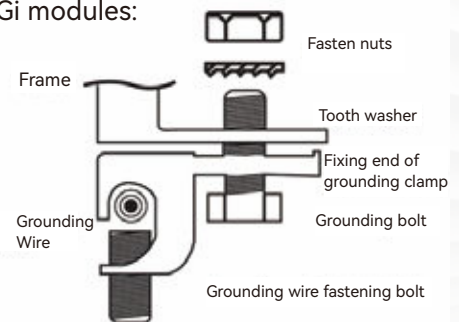


Figure 10 Bolt Grounding Method of PV Module

Mounting holes on modules that are not occupied can be used for installing grounding devices.

The third party grounding device can be used for grounding of LONGi modules but such grounding method shall be proved to be reliable. Grounding device shall be operated in line with stipulations of the manufacturer.

OPERATION MAINTENANCE

▶ 08. Operation and maintenance

It is the users' responsibility to carry out regular inspection and maintenance for modules, especially during the period of limited warranty. To inform the LONGi customer service personnel within two weeks when modules are found broken or other significant abnormality.

Refer to the 《LONGi PV Module Operation and Maintenance Manual》 for details on module maintenance.

8.1 Cleaning

Accumulated contaminants on module surface glass will reduce the power output and lead to local hot spot, such as dust, industrial wasted water and birds' droppings. The severity of influence is determined by transparency of wastes. Small amounts of dust will affect the intensity and evenness of received solar irradiation but are not dangerous and power will not be reduced remarkably generally.

During operation of modules, there shall be no environmental factors to shade modules fully or partially. These environment factors including other modules, module mounting system, birds dwelling, dust, soil or plants. These will significantly reduce output power. LONGi suggests that the module surface should not be shadowed in any case.

Frequency of cleaning depends on dirt accumulation speed. In normal situations, rainwater will clean the module surface and reduce the cleaning frequency. It is suggested to use sponge dipped with clean water or soft cloth to wipe the glass surface. Do not use acid and alkaline detergents to clean modules. Do not use tool with rough surface to clean in any case.

In order to avoid potential risk of electrical shock or burn, LONGi suggests cleaning the modules during early morning or evening with low irradiance and low modules temperature especially for the hot regions.

In order to avoid potential risk of electrical shock, do not try to clean the modules with glass damage or expose wires.

8.2 Module Appearance Inspection

Check module cosmetic defects with naked eyes, especially:

- 1) Module glass cracks.

- 2) Corrosion at welding parts of the cell main grid (caused by moisture into the module due to damage of sealing materials during installation or transportation).
- 3) Check whether there are traces of burning mark on the module back sheet.
- 4) Check PV modules if any signs of aging including rodent damage, climate aging, connectors tightness, corrosion and grounding condition.
- 5) Check if any sharp objects in contact with PV modules' surface
- 6) Check if any obstacles shading the PV modules
- 7) Check if any loose or damage screws between the modules and mounting system. If so, adjust and fix in time.

8.3 Inspection of Connectors and Cables

It is suggested to carry out the following preventive inspection twice a year:

- 1) Check the tightness of the connectors and cables.
- 2) Check if any crack or gap of silicone nearby the junction box.

Applicable Module Type

Applicable Module Type		Certification Status	Module Structure	
Mono-facial Module	LR5-54HPH-xxxM	/	single glass	
	LR5-54HPB-xxxM	/	single glass	
	LR5-54HNB-xxxM	LR5-72HPH-xxxM	IEC、UL	single glass
	LR5-54HTH-xxxM	LR5-72HPH-xxxM*	IEC、UL	single glass
	LR5-54HTB-xxxM	LR5-72HTH-xxxM	IEC、UL	single glass
	LR5-66HPH-xxxM	LR5-72HTH-xxxM*	IEC、UL	single glass
Bifacial Module	LR5-54HABD-xxxM	LR5-72HBD-xxxM	IEC、UL	double glass
	LR5-54HABB-xxxM	LR5-72HBD-xxxM*	IEC、UL	double glass
	LR5-66HBD-xxxM	LR5-72HGD-xxxM*	IEC、UL	double glass
	/	LR5-72HND-xxxM	IEC、UL	double glass
	/	LR5-72HTD-xxxM	IEC、UL	double glass

①The "*" identifier behind the module model indicates that the height of the module frame is 30mm.

②LR4-xxx-xxxM module and LR5-xxxHIH/HIB/HIBB/HIBD-xxxM module installation load and certification information are shown in the V16 version of LONGi PV Module Installation Manual.

The logo for LONGi, featuring the word "LONGi" in a bold, red, sans-serif font. The letter "i" is lowercase and has a small red square above it as a dot. The background of the entire page consists of a pattern of light gray, wavy, horizontal lines that create a sense of movement and depth.

LONGi

LONGi Green Energy Technology Co., Ltd.

No.8369 Shangyuan Road, Xi'an Economic And
Technological Development Zone, Xi'an, Shaanxi, China.

Web: www.longi.com