
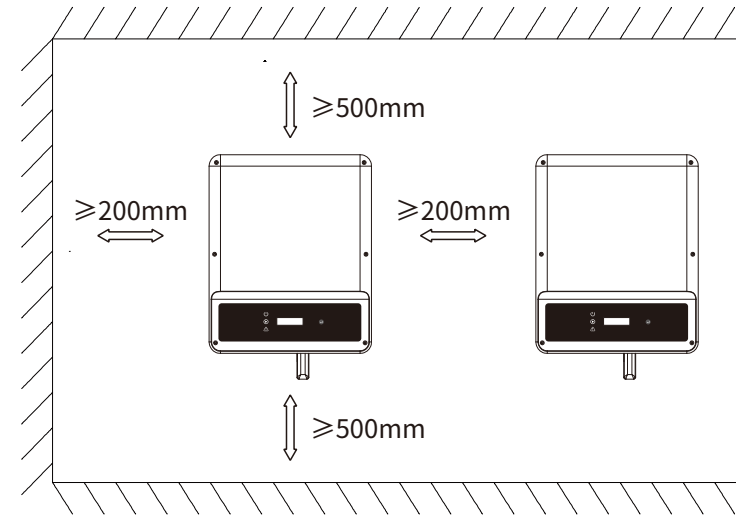


Instructions for Fast Installation SDT G2 Series

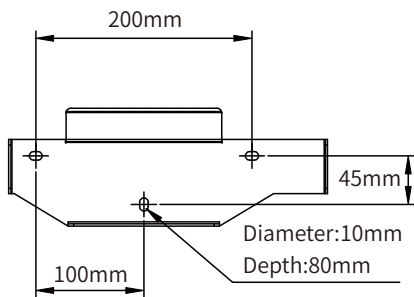
 Warning: All fasteners must be locked tight. Otherwise water may flow in, resulting in machine failure. In such case warranty shall not be provided.

A



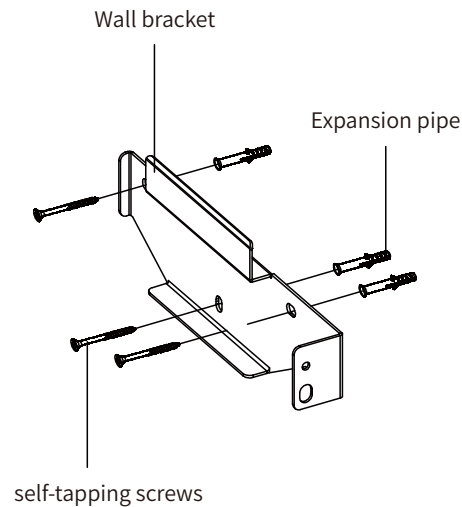
Installation space

B



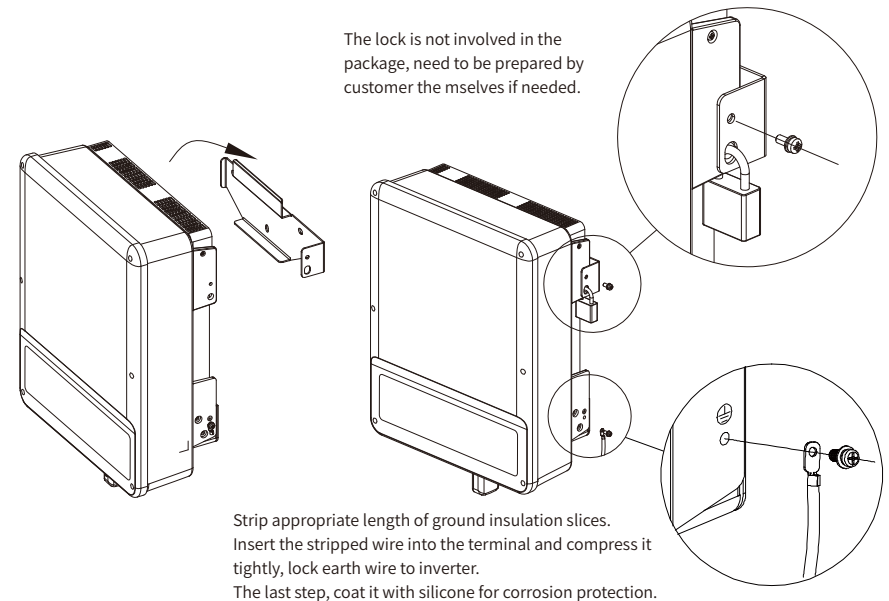
Dimensions for Drilling holes

C



Fix the wall bracket

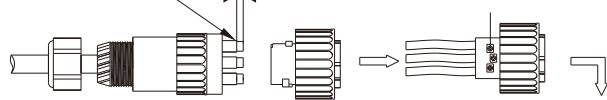
D



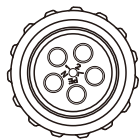
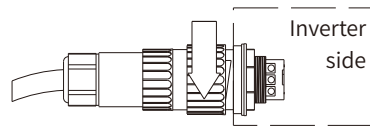
Installation

E

4mm² Copper Conductor Material
 10mm
 Tighten the 3 pieces of screws and make sure of their heads don't exceed the surface

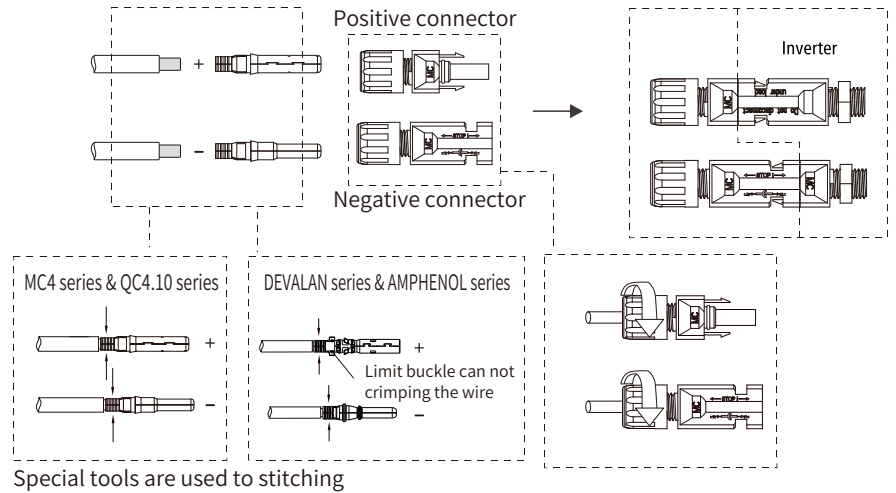


Tighten the screw in anticlockwise direction



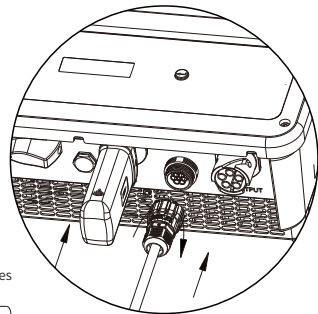
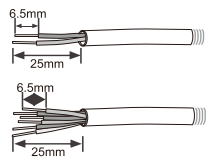
Pin1 ----- R phase
 Pin2 ----- S phase
 PinL ----- T phase
 PinN ----- N phase
 PinPE ----- PE phase

AC wire assembly and connection

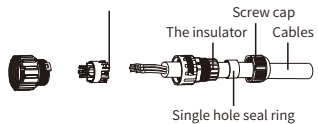
F

DC wire assembly and connection

DC Cable should be use dedicated PV cable (Suggest using 4mm² PV1-F wire)

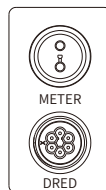
G

Tightening the screws and the screws are not over the surface



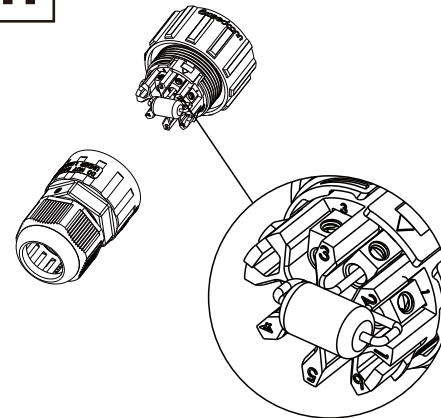
DRED	
NO.	Function
1	DRM1/5
2	DRM2/6
3	DRM3/7
4	DRM4/8
5	REFGen
6	Com/DRM0

Meter	
NO.	Function
1	Meter +
2	Meter -



Communication / DRED / Meter cable assembly

DRED connection is only available for Australia and New Zealand

H

You need to connect 5 and 6 pins with a resistor to use "DRED" function (for Australia) or connecting 4 and 5 pins to use "Remote Shutdown" function (for Europe), you can't use both of them at the same time. You can only choose one of them.

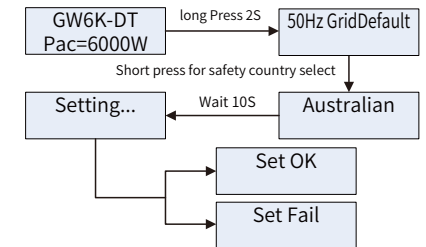
Remote shutdown and DRED

Optional

I

Configure Country Setting

Short press to enter this menu

**J**

Set Time

From the first level Set language menu, short press the key to enter the Set Time menu.
 Long press (2s) the key to enter the second level menu. The initial display is "2019-00-00 00:00", in which the first four numbers represent the year (e.g 2000-2099); the fifth and sixth number represent the month (e.g 01-12); the seventh and the eighth numbers represent the data (e.g 01-31). The remaining number represent the time.
 Short press increase the number in current location, and long press to move the cursor to next position. The inverter will store the time the time after 20 seconds without any key operation, and the LCD will automatically return to the main menu and the backlight will switch off.