

SUN2000-12/15/17/20/25K-MB0 Smart Energy Controller



Active Safety

Active Arcing Protection



Higher Yields

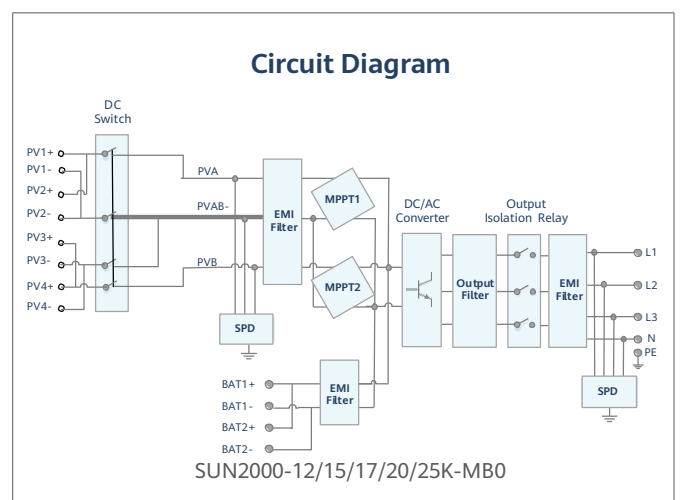
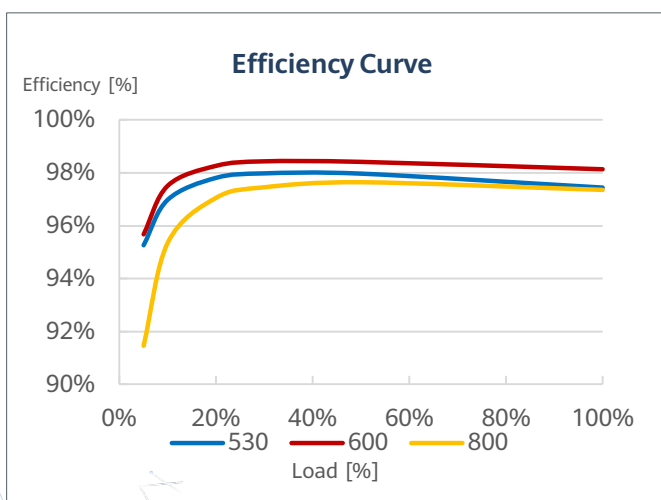
Up to 30% More Energy with Optimizer



Battery-ready

2 Battery Terminals;

Compatible with LUNA2000-S0 and S1



Technical Specification

Technical Specification ¹	SUN2000-12K-MB0	SUN2000-15K-MB0	SUN2000-17K-MB0	SUN2000-20K-MB0	SUN2000-25K-MB0
Efficiency					
Max. efficiency	98.4 %	98.4 %	98.4 %	98.4 %	98.4 %
European weighted efficiency	97.9 %	98.0 %	98.1 %	98.1 %	98.2 %
DC Input					
Recommended max. PV power	18,000 Wp	22,500 Wp	25,500 Wp	30,000 Wp	37,500 Wp
Max. input voltage ²	1,100 V				
Max. input current per MPPT	30 A (two strings) / 20 A (single string)				
Max. short-circuit current	40 A				
Start-up voltage	200 V				
MPPT operating voltage range ³	200 V ~ 1,000 V				
Full-load MPPT voltage range	370 V ~ 800 V	410 V ~ 800 V	440 V ~ 800 V	480 V ~ 800 V	530 V ~ 800 V
Rated input voltage	600 V				
Max. number of inputs	4				
Number of MPP trackers	2				
Smart String Energy Storage System Terminal					
Compatible Smart String ESS	LUNA2000-5/10/15-S0 LUNA2000-7/14/21-S1 (Available from 30/11/2023)				
Number of terminals	2				
Max. charging power	21 kW (Single string) / 25 kW (Two strings)				
Max. discharging power	13.2 kW	16.5 kW	18.7 kW	22.0 kW	25.0 kW
Max. operating current	26.25 A (per string)				
Operating voltage range	600 V ~ 980 V				
Output					
Rated output power	12,000 W	15,000 W	17,000 W	20,000 W	25,000 W
Max. apparent power	13,200 VA	16,500 VA	18,700 VA	22,000 VA	27,500 VA
Max. active power (cosφ = 1)	13,200 W	16,500 W	18,700 W	22,000 W	27,500 W
Rated output voltage	220 Vac / 380 Vac, 230 Vac / 400 Vac, 240 Vac / 415 Vac; 3 W / N + PE				
Rated output current	18.2 A / 380 Vac	22.8 A / 380 Vac	25.8 A / 380 Vac	30.4 A / 380 Vac	38.0 A / 380 Vac
	17.3 A / 400 Vac	21.7 A / 400 Vac	24.5 A / 400 Vac	28.9 A / 400 Vac	36.1 A / 400 Vac
	16.7 A / 415 Vac	20.9 A / 415 Vac	23.7 A / 415 Vac	27.8 A / 415 Vac	34.8 A / 415 Vac
Max. output current	20.2 A / 380 Vac	25.2 A / 380 Vac	28.6 A / 380 Vac	33.6 A / 380 Vac	42.0 A / 380 Vac
	19.1 A / 400 Vac	23.9 A / 400 Vac	27.1 A / 400 Vac	31.9 A / 400 Vac	39.9 A / 400 Vac
	18.5 A / 415 Vac	23.1 A / 415 Vac	26.1 A / 415 Vac	30.8 A / 415 Vac	38.5 A / 415 Vac
Rated AC grid frequency	50 Hz / 60 Hz				
Adjustable power factor	0.8 leading ... 0.8 lagging				
Max. total harmonic distortion	< 3 %				
Feature & Protection					
Overvoltage category	PV II / AC III				
Input-side disconnection device	Yes				
Anti-islanding protection	Yes				
AC over-current protection	Yes				
DC reverse-polarity protection	Yes				
DC surge protection	TYPE II				
AC surge protection	Yes, compatible with TYPE II protection class according to EN/IEC 61643-11				
DC insulation resistance detection	Yes				
Residual current monitoring unit	Yes				
Arc fault protection	Yes				
Integrated PID recovery ⁴	Yes				
General Data					
Operation temperature range	-25 °C ~ +60 °C (-13 °F ~ 140 °F)				
Relative humidity	0 % RH ~ 100 % RH				
Max. operating altitude	4,000 m (13,123 ft.) (Derating above 2,000 m)				
Cooling	Smart air cooling				
Display	LED indicators, Integrated WLAN + FusionSolar APP				
Communication	RS485; WLAN / Ethernet via Smart Dongle-WLAN-FE (Optional) 4G / 3G / 2G via Smart Dongle-4G (Optional); EMMA (Optional; available from 30/11/2023)				
Weight	21 kg				
Dimensions (W x H x D)	546 x 460 x 228 mm (21.5 x 18.1 x 9.0 inch)				
Protection level	IP66				
Max. number of paralleled unit (with Smart String ESS)	3				
Optimizer Compatibility					
Compatible optimizer	SUN2000-450W-P2, SUN2000-600W-P, MERC-1100W-P, MERC-1300W-P				
Standard Compliance (more available upon request)					
Certificates	EN/IEC62109-1, EN/IEC62109-2				
Grid connection standards	IEC61727, IEC62116, IEC61683, EN50530, ABNT NBR 16149/16150, MEA/PEA, G99, IRR-DCC-MV/IRR-TIC, Philippine Grid Code Resolution No. 07, NRS 097-2-1, EN50549-1, VDE4105, UTE15-712-1/VFR 2019, UNE217002, NTS631, RD244(UNE217001), PPDS, ROGA, TOR Erzeuger, CEI 0-21:2020-12 V1, CEI-016, C10/C11, EN50549-2, VDE4110				

¹ For Thailand, only SUN2000-12K-MB0 & SUN2000-15K-MB0 & SUN2000-20K-MB0 are available.

² The maximum input voltage is the upper limit of the DC voltage. Any higher input DC voltage would probably damage inverter.

³ Any DC input voltage beyond the operating voltage range may result in inverter improper operating.

⁴ SUN2000-12~25KTL-MB0 raises potential between PV- and ground to above zero through integrated PID recovery function to recover module degradation from PID. Supported module types include: P-type (mono, poly).

Disclaimer: the preceding values are measured by an internal laboratory of Huawei in a specific environment. The actual values may vary with products, software versions, usage conditions, and environmental factors.